

# Curb Base



Model Shown:  
CB 850 FT

---

## Curb Base Model Application:

For installation on any low slope or commercial flat roof.

---

## Available Curb Base Models:

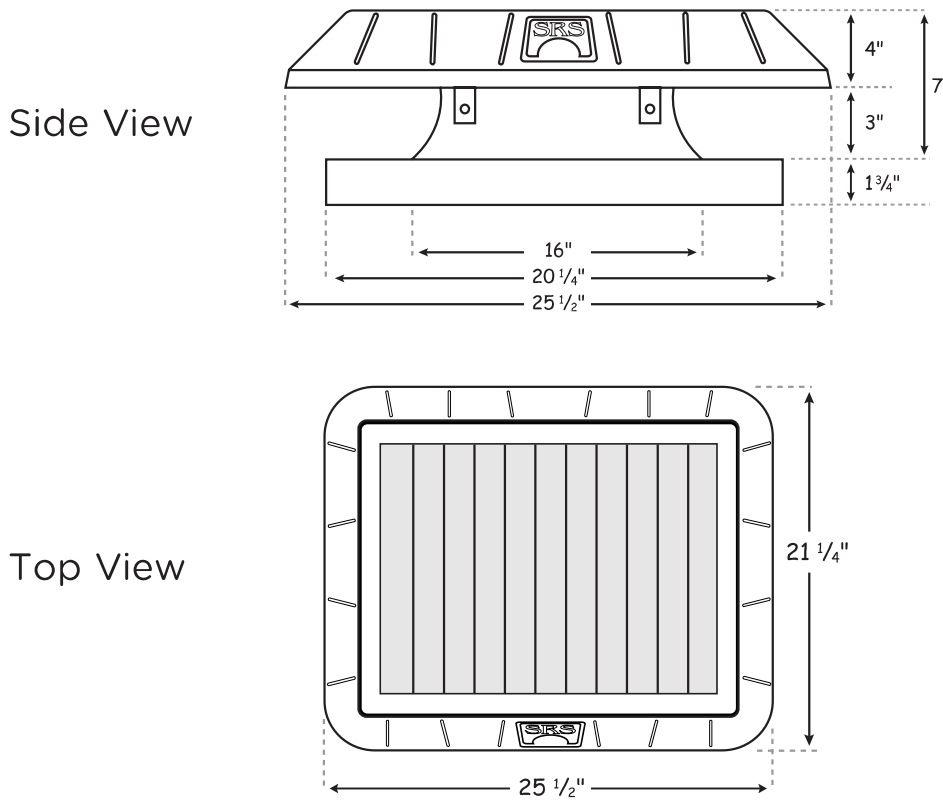
SunRise 850 FT - 11 Watt - For areas up to 1200 sq. ft.

SunRise 1050 FT - 15 Watt - For areas up to 1400 sq. ft.

SunRise 1250 FT - 20 Watt - For areas up to 1600 sq. ft.

SunRise 1650 FT - 36 Watt - For areas up to 2400 sq. ft.

# The SunRise® Attic Fan Curb Base Model



## Features:

- |   |  |
|---|--|
| <p><b>Solar Panel:</b> Impact resistant crystalline with tempered glass surface</p> <p><b>Motor:</b> Ultra quiet, brushless DC motor</p> <p><b>Wire:</b> 18/2 red/black</p> <p><b>Fan Blade:</b> 12" diameter, 5-blade poly-carbon, computer balanced hub</p> <p><b>Hardware:</b> ALL stainless steel fasteners, including welded stainless steel screen</p> <p><b>Top and Base:</b> UV-Stabilized ABS composite (paintable)</p> <p><b>Airflow:</b> The more intense the sun shines, the faster the SunRise runs</p> <p><b>Warranty:</b> 25 Year Limited Warranty on 1250 and 1650 models<br/>10 Year Limited Warranty on 850 and 1050 models</p> | <p><b>Unit Dimensions:</b> Height 7", Top 25.5" x 21.25"</p> <p><b>Base Size:</b> 20.25" x 20.25"</p> <p><b>Unit Weight:</b> 16 lbs.</p> <p><b>Shipping Weight:</b> 18 lbs.</p> <p><b>Package Size:</b> 27.25" x 25.5" x 11.25" wide.</p> <p><b>Available Models:</b> CB 850 FT<br/>CB 1050 FT<br/>CB 1250 FT<br/>CB 1650 FT<br/>CB 1650 TLT FT</p> <p>Fixed thermostat turns fan on at 80° and off at 65° during daylight hours</p> |
|---|--|