

# Flat Base



Model Shown:  
FB 850 FT

---

## Flat Base Model Application:

For installation on any normal pitched shingled roof, where south or west exposure is available.

---

## Available Flat Base Models:

SunRise 850 FT - 11 Watt - For areas up to 1200 sq. ft.

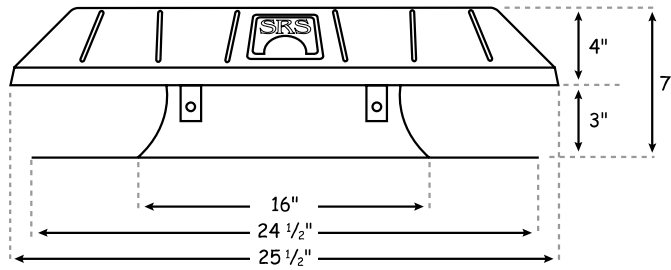
SunRise 1050 FT - 15 Watt - For areas up to 1400 sq. ft.

SunRise 1250 FT - 20 Watt - For areas up to 1600 sq. ft.

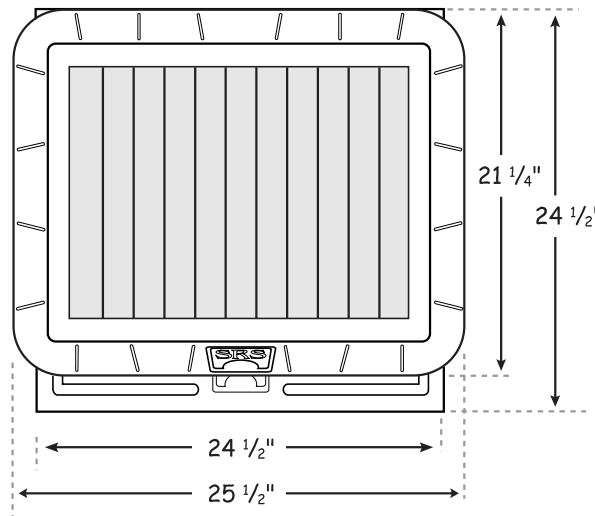
SunRise 1650 FT - 36 Watt - For areas up to 2400 sq. ft.

# The SunRise® Attic Fan Flat Base Model

Side View



Top View



## Features:

**Solar Panel:** Impact resistant crystalline with tempered glass surface

**Motor:** Ultra quiet, brushless DC motor

**Wire:** 18/2 red/black

**Fan Blade:** 12" diameter, 5-blade poly-carbon, computer balanced hub

**Hardware:** ALL stainless steel fasteners, including welded stainless steel screen

**Top and Base:** UV-Stabilized ABS composite (paintable)

**Airflow:** The more intense the sun shines, the faster the SunRise runs

**Warranty:** 25 Year Limited Warranty on 1250 and 1650 models  
10 Year Limited Warranty on 850 and 1050 models

**Unit Dimensions:** Height 7", Top 25.5" x 21.25"

**Base Size:** 24.5" x 24.5"

**Unit Weight:** 17 lbs

**Shipping Weight:** 19 lbs

**Package Size:** 27.25" x 25.5" x 11.25" wide

**Available Models:** FB 850 FT

FB 1050 FT

FB 1250 FT

FB 1650 FT

Fixed thermostat turns fan on at 80° and off at 65° during daylight hours