



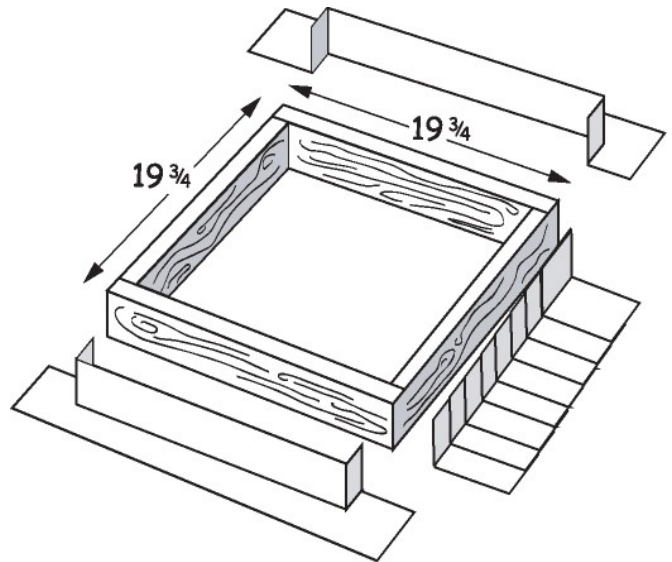
SunRise Solar Attic Fans Curb Base Fan

Flat Roof Installation

For Models: CB 1250 FT, CB 1650 FT, CB 1650 TLT FT

NOTE: For best operation, install solar fan where it will receive direct sunlight.

- 1) Determine roof rafter spacing.
 - a.) **16" Rafter Spacing:** Cut a 14 1/2" square hole between rafters approximately 24" down from roof peak to center of hole.
 - b.) **24" Rafter Spacing:** Cut a 16 3/4" square hole between rafters approximately 24" down from roof peak to center of hole.
- 2) Build a 19 1/2" x 19 1/2" curb with treated lumber, and secure to roof deck. Finished curb must be no more than 19 3/4" x 19 3/4".
- 3) The image to the right shows how the curb might be flashed on a pitched roof. On a flat or low-slope roof the curb can be flashed with EPDM rubber, modified bitumen, hot tar/felt, or other appropriate material.
- 4) Run a bead of silicone sealant along top edge of flashed wooden curb.
- 5) Pre-drill (8) mounting holes, (2) per side, on the skirt of the base flashing.
- 6) Place the SRS Fan on the curb, with SRS Logo on the bottom. Using exterior-grade screws, secure base flashing to curb....being careful not to overtighten screws.



Made in the USA

Flat Roof Installation

For Models: CB 1250 FT, CB 1650 FT, CB 1650 TLT FT (shown)

NOTE: For best operation install solar fan where it will receive direct sunlight.



1) Cut 16 1/2" hole through roof.



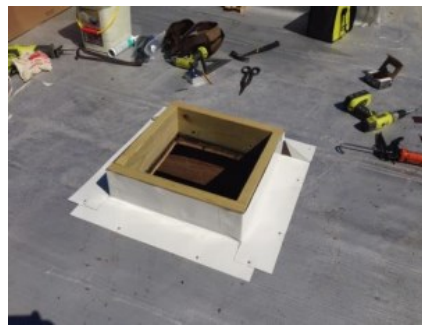
2) Build 19 1/2" square curb.



3) Fasten curb to roof.



4) Flash curb with membrane.



5) Flash curb with metal.



6) Install membrane over metal.



7) Mount fan to curb.



8) Fasten fan to curb.



9) Coat flashing with roof paint.

SunRise Solar Attic Fans
P.O. Box 53
Saint John, IN 46373
(219) 558-2211
www.sunrisesolar.com



